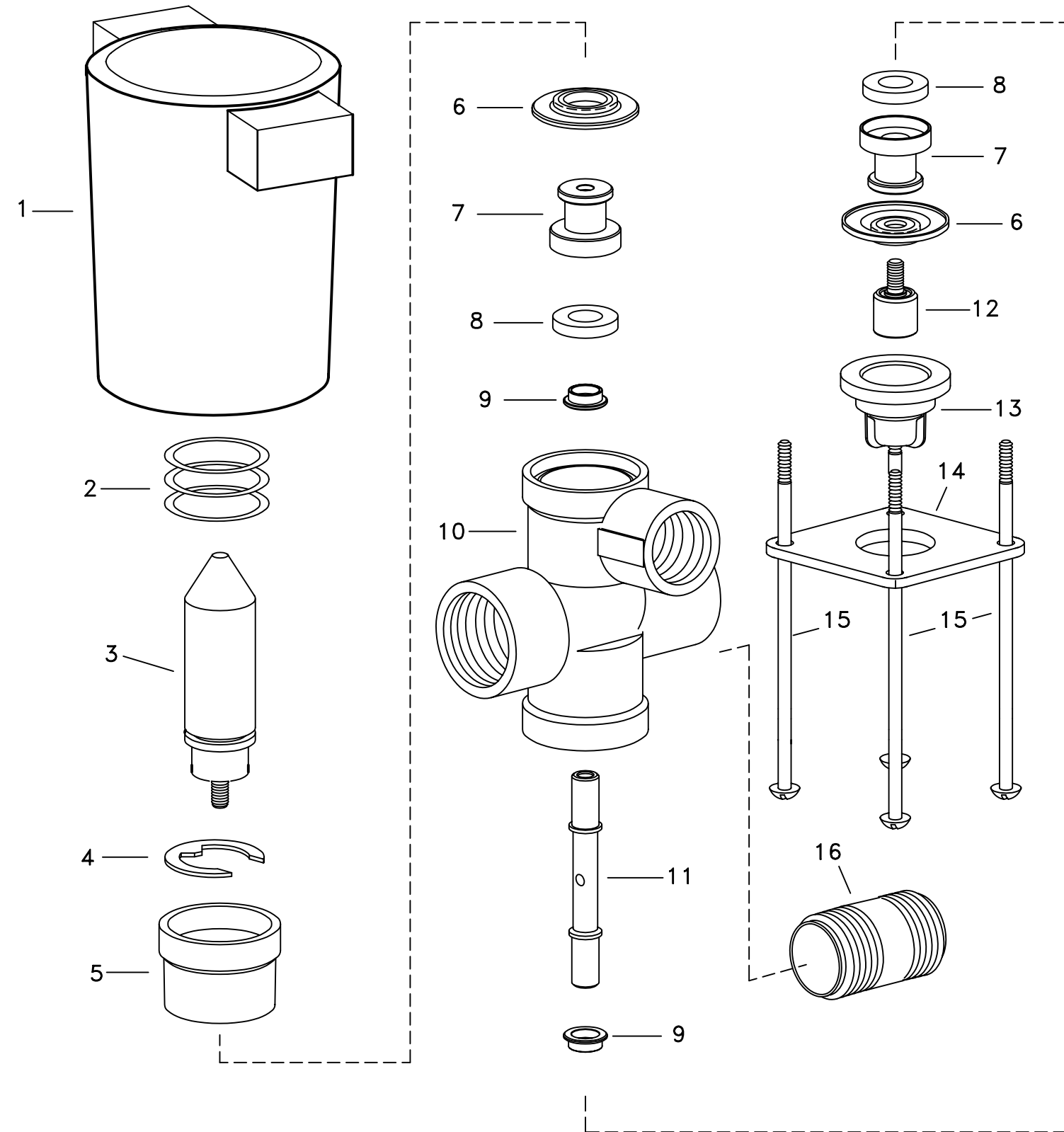
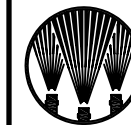


ITEM	PART NO.	DESCRIPTION
1	CP45632	Coil Assembly, Nylon Encapsulated, Stainless Steel & Aluminum
*	2	CP45637-302SS Spring, Type 302 Stainless Steel
	3	CP45634-430FRS Armature, Type 430 FRS Stainless Steel
	4	CP14813-2-SS Retaining Ring, Stainless Steel
	5	CP38074-NYB Upper Diaphragm Housing, Nylon-Glass Filled (Black)
*	6	CP36101-VI Diaphragm, Viton (2 Req'd)
	7	CP25678-SS Seat Washer Retainer, Stainless Steel (2 Req'd)
*	8	CP14802-VI Seat Washer, Viton (2 Req'd)
	9	CP14811-SS Spacer, Stainless Steel (2 Req'd)
10	CP21672-1-PPB	Body, Polypropylene (Black) For Model AA144A-1-3 (NPT)
	CPB21672-1-PPB	Body, Polypropylene (Black) For Model AAB144A-1-3 (BSPT)
	11	CP21674-SS Stem, Stainless Steel
	12	CP15162-SS Lower Diaphragm Piston, Stainless Steel
	13	CP38075-NYB Lower Diaphragm Housing, Nylon-Glass Filled (Black)
	14	CP14804-1-I Bottom Plate, Steel-Nitrotec Finish
	15	CP21673-SS Screw, Stainless Steel (4 Req'd)
	16	CP21737-NYB Connecting Nipple, Nylon (Black) Use Only For Multiple Units

AB144P-1-3-KIT, Spare Parts Kit (Includes all items marked with *)
 No. AA144P-1-3, Three-Way Directo Valve By-Pass Valve (NPT Conn.)
 No. AAB144P-1-3, Three-Way Directo Valve By-Pass Valve (BSPT Conn.)
 No. AA144P-2-3, Two-Unit, Three-Way Directo Valve By-Pass Valve (NPT Conn.)
 No. AAB144P-2-3, Two-Unit, Three-Way Directo Valve By-Pass Valve (BSPT Conn.)
 No. AA144P-3-3, Three-Unit, Three-Way Directo Valve By-Pass Valve (NPT Conn.)
 No. AAB144P-3-3, Three-Unit, Three-Way Directo Valve By-Pass Valve (BSPT Conn.)



DESCRIPTION:
 AA(B)144P-1-3
 THREE-WAY SOLENOID OPERATED
 BY-PASS DIRECTO VALVE®



Spraying Systems Co.®

Spray Nozzles and Accessories
 P.O. Box 7900 - Wheaton, Il. 60189-7900

Rev. No. 3

Ref.

Parts List No.

PL 144P-1-3

SHEET OF